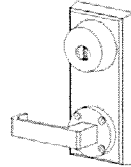


Order Detail Sheet - Models 'D' & 'F'

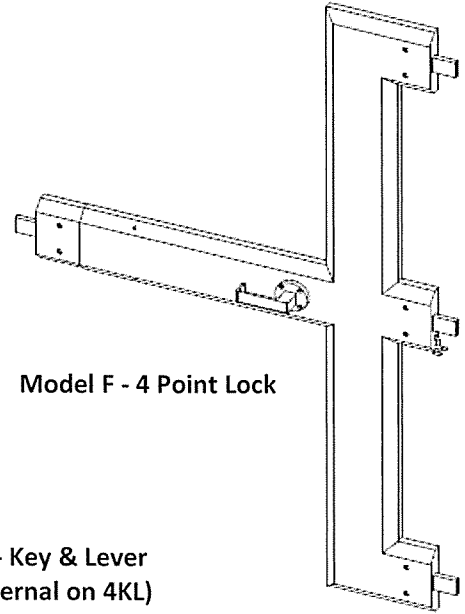
Date:		Due Date:	
Company:			
Contact:			
Ph: / Email:			
Project:			
Order No.		Job No.	



Model D - 2 Point Lock



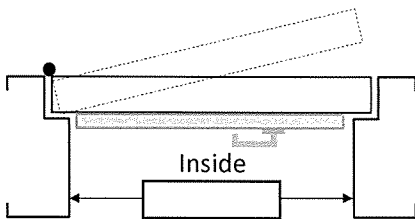
KL - Key & Lever
 (External on 4KL)



Model F - 4 Point Lock

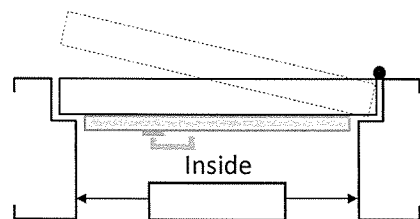
ORDER QUANTITY			FEATURES					OPTIONS	
D	F	Series	Internal Handle	Cylinder	Key and Lever Unit	Self-Latching	Hold Open	Micro-Switch	Double Door
		Series 1	Yes						
		Series 2	Yes	External					
		Series 3		Int & Ext					
		Series 4	Yes			Yes			
		Series 4KL	Yes	External	Yes	Yes			
		Series 5	Yes	External		Yes			
		Series 6	Yes	External			Yes		

Door Opens Out - Hinge on Right



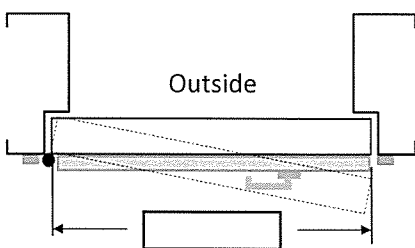
* Measure Frame to Frame

Door Opens Out - Hinge on Left



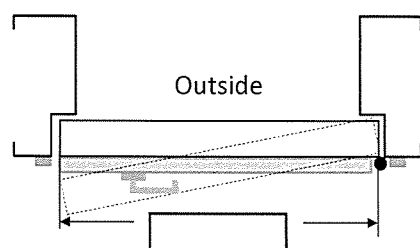
* Measure Frame to Frame

Door Opens In - Hinge on Left



* Measure Door Leaf

Door Opens In - Hinge on Right



* Measure Door Leaf

Delivery Address: